



OPERATION

Suitcases are manually wrapped with a safety seal (bag type). They are placed on the machine's entrance in a vertical or horizontal position, depending on the dimensions. All other movement and shrink wrapping processes inside the tunnel are carried out automatically.

TECHNICAL FEATURES

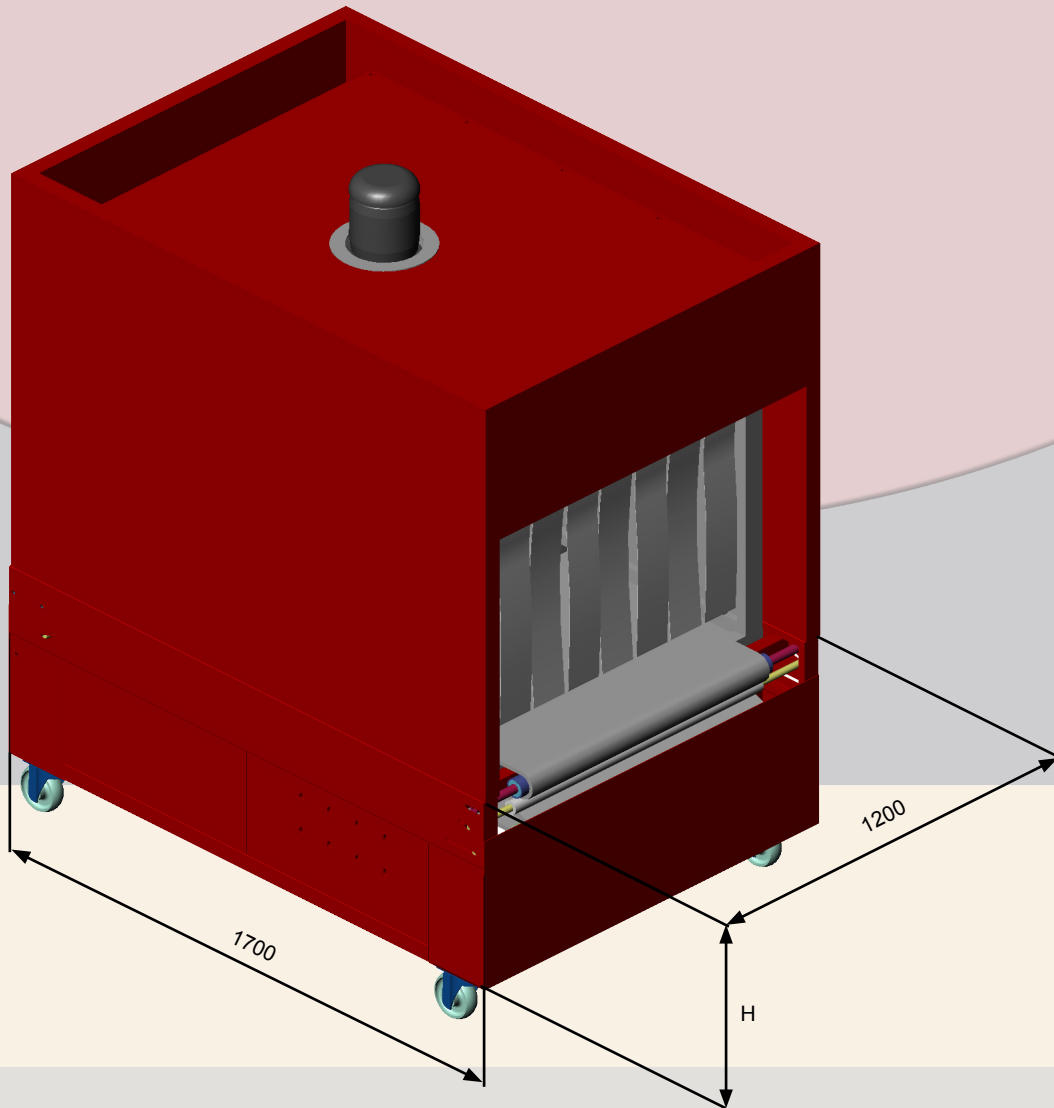
Machine designed to shrink wrap suitcases with different types of plastic.
Wrapped suitcases, airport safety seal bags.
Outer thermal regulator to control the temperature inside the tunnel.
Stained steel or plastic mesh or motorised rollers.
Shrink wraps any type of luggage, including bags and backpacks.
Features wheels to move the machine.
Its compact dimensions make it easy to install in any airport.
Top quality components.

PRODUCTS AND MARKET SECTORS

Suitcases, travel bags, luggage, different types of bags.
Airport sector.

Airport

SHRINK WRAP TUNNEL: Model ZT-16



Voltage	220v or 380v
Power	16 Kw
Weight	700 Kg
Production	18-20 suitcases/min



ZORPACK

Polígono Industrial Comarca-2, calle B, Nº 20
31191 Ezquiroz (Navarra)
Tel.: +34 948 303 005
Fax: +34 948 302 644
E-mail: zorpack@zorpack.com
www.zorpack.com